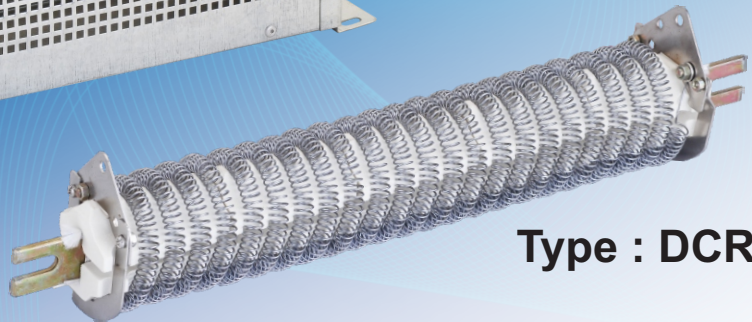


Type : DCRE



Type : DCR

Onics DCR series resistor are capable of with standing high pulse loads, at the same time they get cooled faster compared to conventional resistors and are best suitable for dynamic braking. These resistors are available in five different power ratings.

DCRE resistors are also available with standard enclosure upto 4500W, where multiple resistor are connected in series or paralalled.

Construction

DCR series resistor are manufactured by winding resistance wire coil of different resistive material on ceramic part supported by metal strip, ends of resistance wire are screwed firmly to end clamps

These resistor are available individually or assembled in enclosure. Enclosures are yellow or white zinc or galvanized.

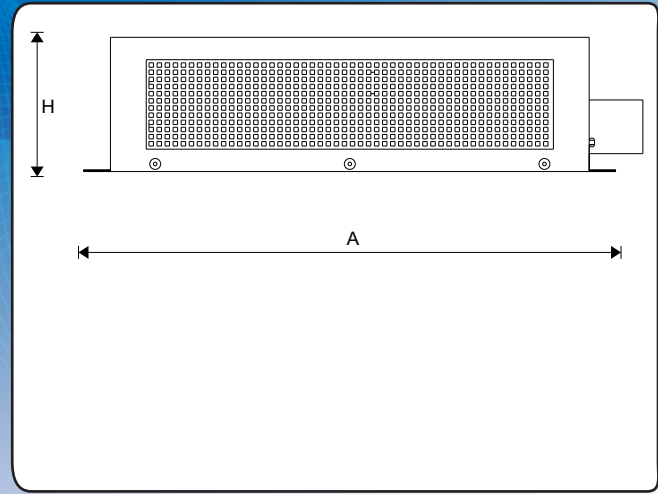
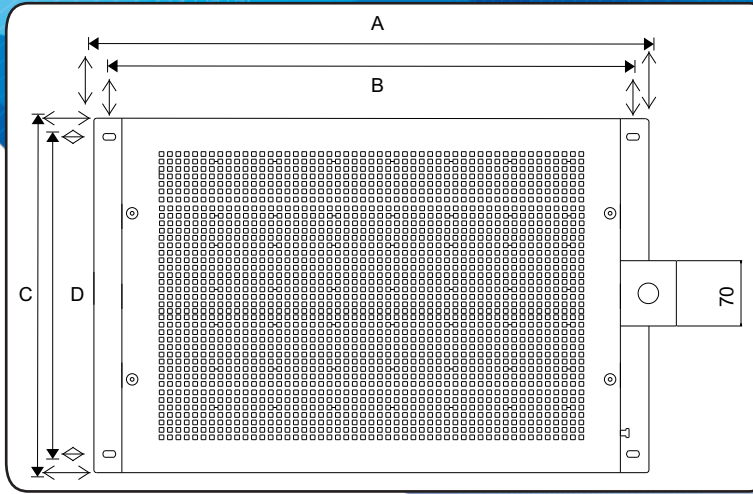
Features

- Low Cost
- High Over Load capacity
- Compact Design
- Protection IP 20
- Low Inductivity
- Optional Mounting Available

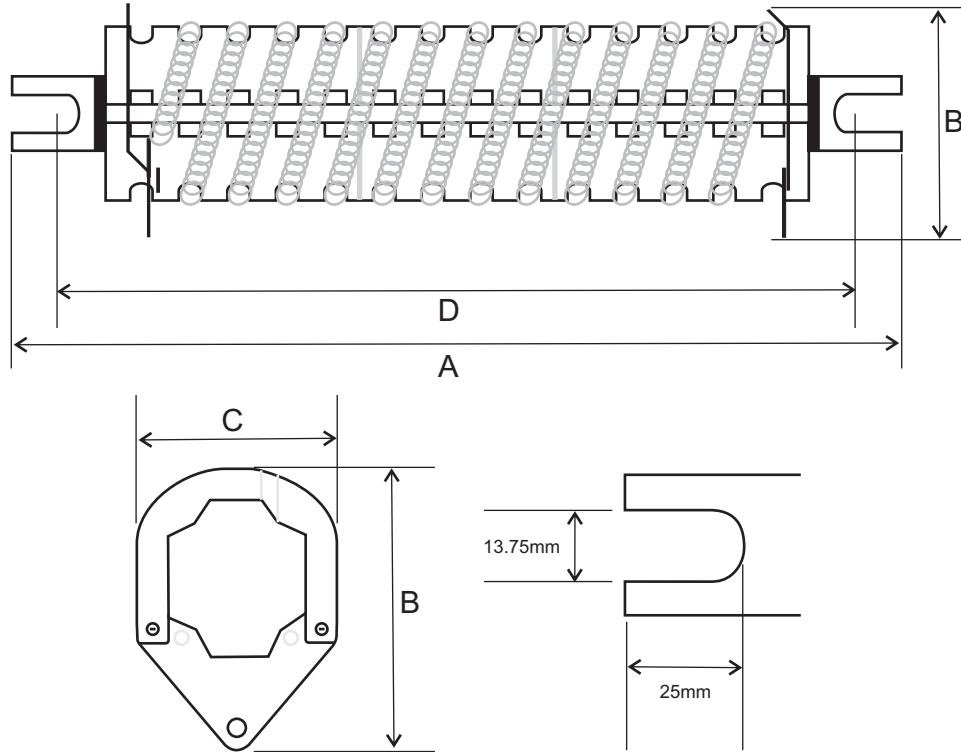
Technical Details:

Power:

DCR Series	:	500W - 1500 w
DCRE Series	:	500W - 4500 w
Resistance Value	:	±10 %
Dielectric	:	2500 VAC
Insulation	:	> 20 Mega Ohm
Operating Temperature	:	375°C
Safe Operating Temperature	:	200°C + ambient
Overload	:	10 x wattage rating for 5 sec.



RESISTOR DIMENSIONS(IN mm)							
CAT NO	POWER	A	B	C	D	H	APPROX WEIGHT (KGS)
DCRE500	500W	290	260	125	100	150	2.2
DCRE750	750W	365	335	125	100	150	2.65
DCRE1000	1000W	440	410	125	100	150	3.4
DCRE1250	1250W	515	485	125	100	150	3.9
DCRE1500	1500W	590	560	125	100	150	4.3
DCRE2000	2000W	440	410	210	160	150	5.2
DCRE2500	2500W	515	485	210	160	150	6.25
DCRE3000	3000W	590	560	210	160	150	7.45
DCRE3750	3750W	515	485	300	250	150	9.4
DCRE4000	4000W	440	410	300	250	150	10
DCRE4500	4500W	590	560	300	250	150	11.45
DCRE5000	5000W	515	485	380	330	150	12.3
DCRE6000	6000W	590	560	380	330	150	13.15



Type/Watt	A (mm)	B (mm)	C (mm)	D (mm)	Approx. Weight (g)
DCR500W	225	90	65	195	875
DCR750W	300	90	65	270	1200
DCR1000W	370	90	65	340	1600
DCR1250W	445	90	65	415	1900
DCR1500W	520	90	65	490	2250